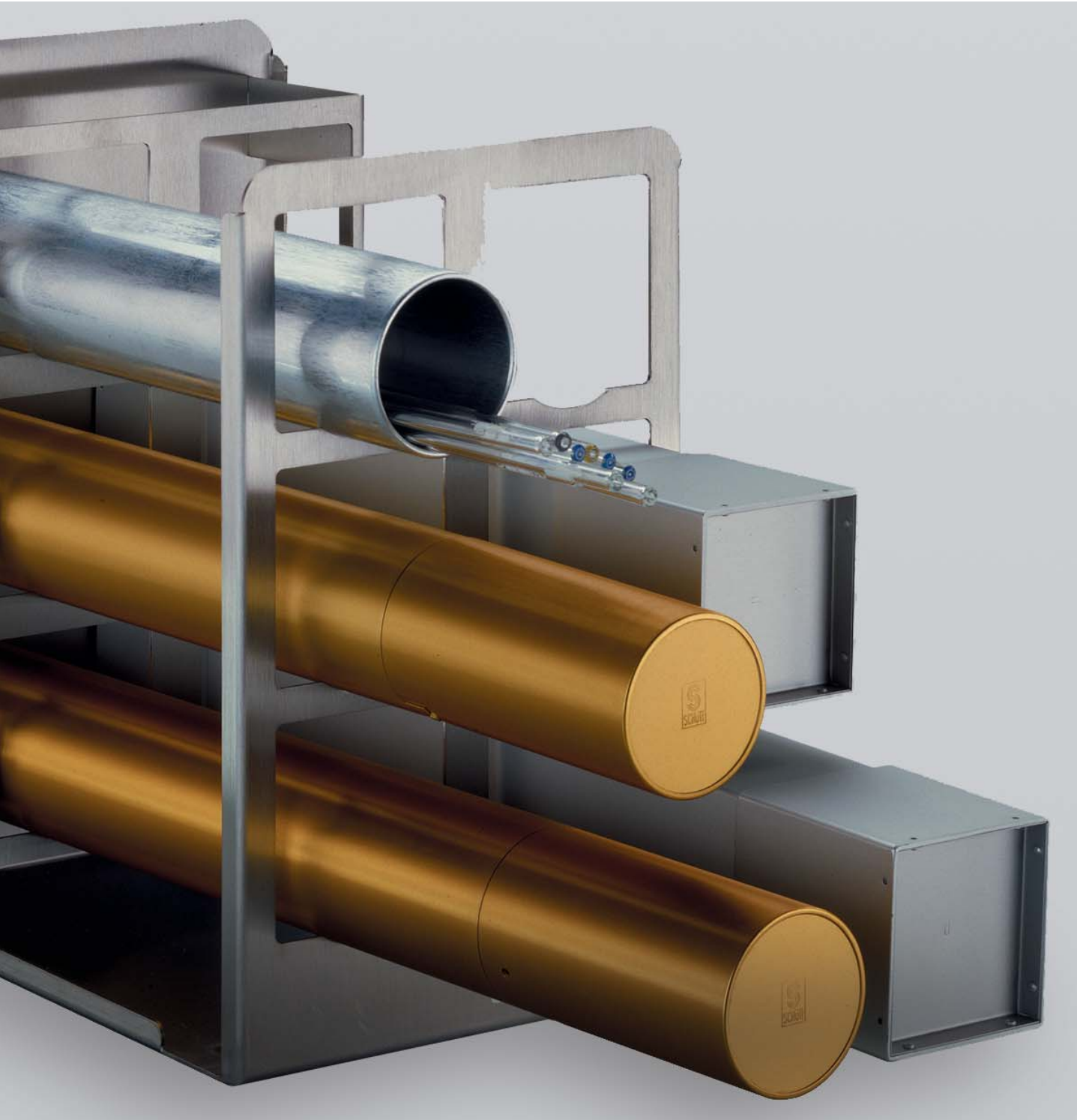


Containers

For Sterilization and Storage



Sterilization and storage

Containers

For sterilization and storage of pipettes, pipette tips, glasses and other

Containers for sterilization are used in all areas, where pipettes, Petri dishes, pipette tips, test tubes, culture tubes or other small parts made of glass or plastic have to be sterilized or stored in a sterile environment.

The wide range of our programme of containers for sterilization surely offers an economically useful solution for your working field as well.

UNICON

UNICON Universal containers



For sterilization and storage of pipette tips and all other small parts made of glass or plastic that have to be sterilized or stored in a sterile environment.

UNICON are round and provide a comfortable slip-over lid, that may only be attached loosely during the autoclaving process. They are made of pure aluminium.

*UNICON 1
i.e. for centrifuge glasses,
UNICON 2
i.e. for test tubes,
UNICON 3
i.e. for pipette tip inserts,
UNICON 4
i.e. for small parts made of glass or plastic.*

Pipette tip racks

Various racks for the insertion of blue, yellow and crystal pipette tips in UNICON 3. After the sterilization, the tips can easily be taken from the racks.

The arrangement of the tips even makes it possible to take them with a multi-channel pipette.

VARICON

VARICON Variable pipette containers



This economically-priced pipette container is made of two overlapping aluminium parts.

According to the length of the pipettes the lid can be slid over the lower part, so that pipettes of different volume can be sterilized and stored.

That means only one container size is needed for all standard pipettes of 280 to 420 mm length and only one size for all short or pasteur pipettes of 145 to 235 mm length.

SPECICON

SPECICON
Special pipette containers



SPECICON is made of thick-walled, anodized in gold aluminium colour and available in 4 sizes.

The containers have a degraded edge, which guarantees tight closure, but easy opening and closing of the lids. The lid provides a bayonet closure and an opening for sterilization.

The openings for sterilization can be closed by slightly turning the lid. The container with the pipettes is now hermetically closed. At the same time the bayonet closure snaps in and secures the lid.

GESTICON

GESTICON
Racks for pipette containers



For pipette containers VARICON RS, SPECICON or square containers with dimensions up to 65 x 65 mm.

Pipettes of different sizes are ready to hand at your working place respectively in your safety workbench.

GESTICON is available in three sizes.

Stainless steel racks with fixed inclination to hold 4, 6 or 8 round or square pipette containers.

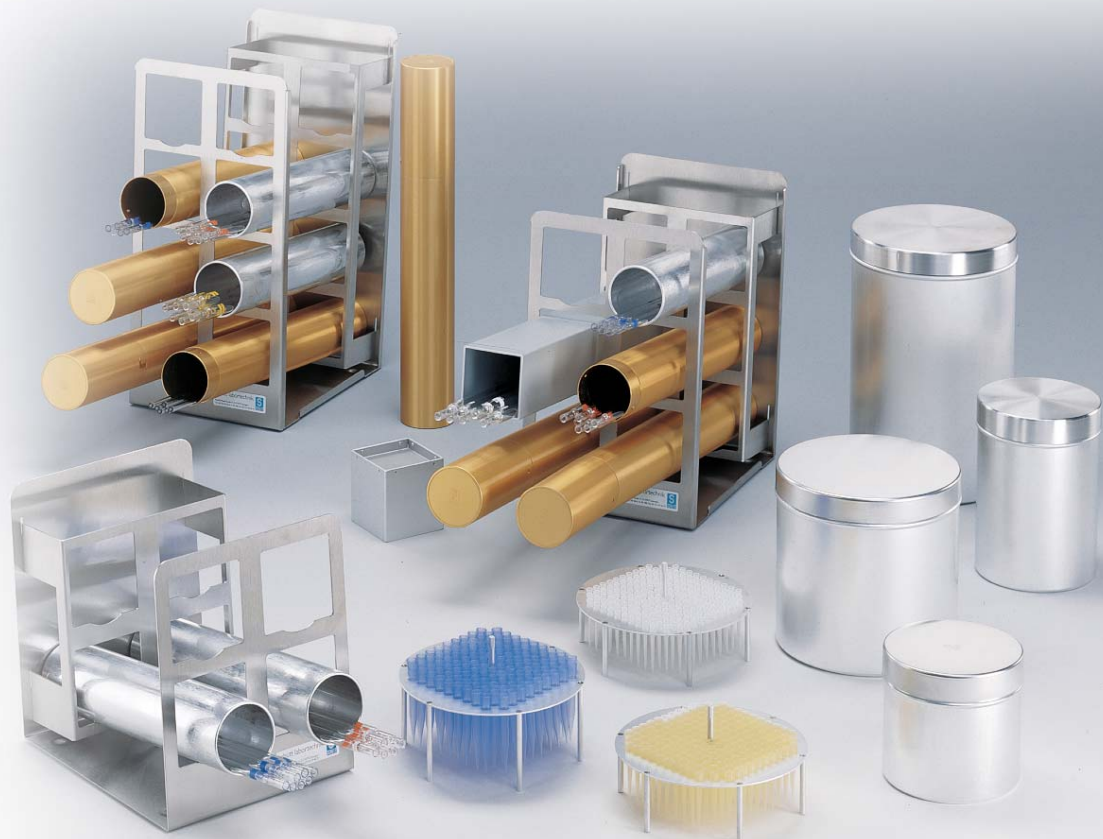
SILICON

SILICON
Silicone inserts

For insertion into the pipette containers VARICON RS and SPECICON:

SILICON prevents from damaging pipettes by sudden shocks. They are made of 2 mm thick silicone rubber and highly elastic.

SILICON has a diameter of 58 mm and fits in the lower part of VARICON RS and in both parts of SPECICON.



Technical Data/Ordering Information**Cat.-No.****UNICON**

UNICON 1	115 mm height	120 mm Ø	3.526 113
UNICON 2	175 mm height	120 mm Ø	3.526 173
UNICON 3	170 mm height	170 mm Ø	3.526 183
UNICON 4	270 mm height	170 mm Ø	3.526 273

Pipette tip rack

Rack b	for 116 blue pipette tips		3.527 013
Rack g	for 208 yellow pipette tips		3.527 023
Rack c	for 208 crystal pipette tips		3.527 033

VARICON

VARICON RK	145-235 mm length (variable)	60 mm Ø	3.521 233
VARICON RS	280-420 mm length (variable)	60 mm Ø	3.521 423

SPECICON

SPECICON 1	400 mm length	60 mm Ø	3.522 403
SPECICON 2	450 mm length	60 mm Ø	3.522 453
SPECICON 3	500 mm length	60 mm Ø	3.522 503
SPECICON 4	600 mm length	60 mm Ø	3.522 603

GESTICON

GESTICON E4	195 x 229 x 235 mm (w x h x d)	stainless steel	3.524 042
GESTICON E6	195 x 315 x 235 mm (w x h x d)	stainless steel	3.524 062
GESTICON E8	195 x 405 x 235 mm (w x h x d)	stainless steel	3.524 182

SILICON

SILICON	2 mm height	58 mm Ø	3.523 213
---------	-------------	---------	-----------

schuett  **biotec.de**

Rudolf-Wissell-Straße 13, D-37079 Göttingen, Germany

Fon +49 (0) 551/50 410-0, Fax +49 (0) 551/50 410-99

E-Mail: info@schuett-biotec.de

www.schuett-biotec.de